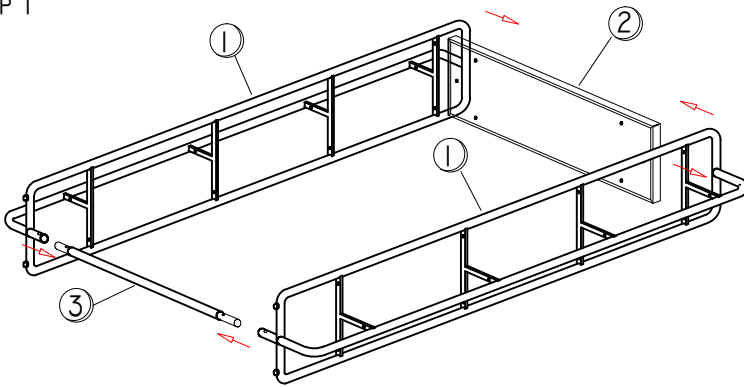





# UTTERMOST

## ASSEMBLY INSTRUCTIONS

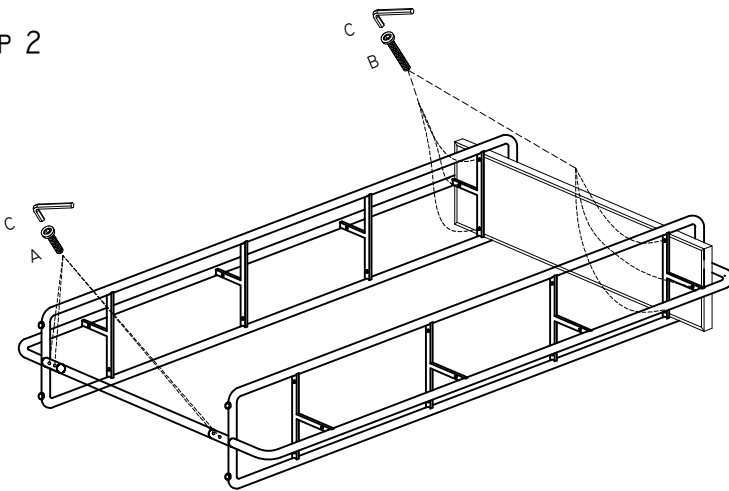
ITEM.: 24970




STEP 1



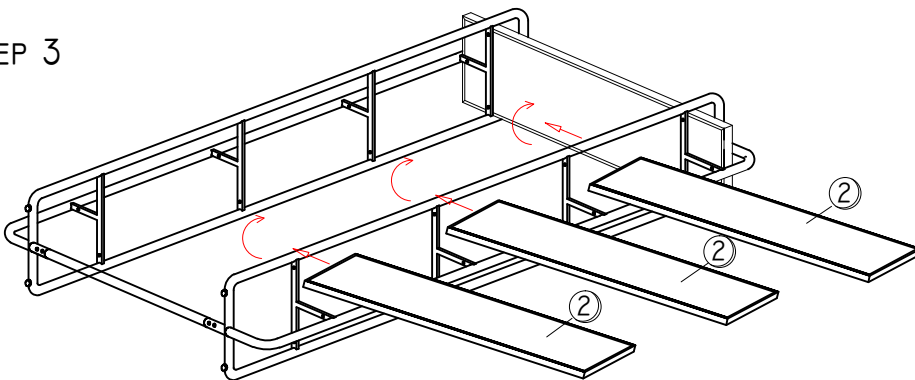
PART LIST		
NO.	DESCRIPTION	QTY
1	SIDE LEG 	2 PCS
2	SHELF 	4 PCS
3	IRON CONNECTING ROD 	1 PC

STEP 2

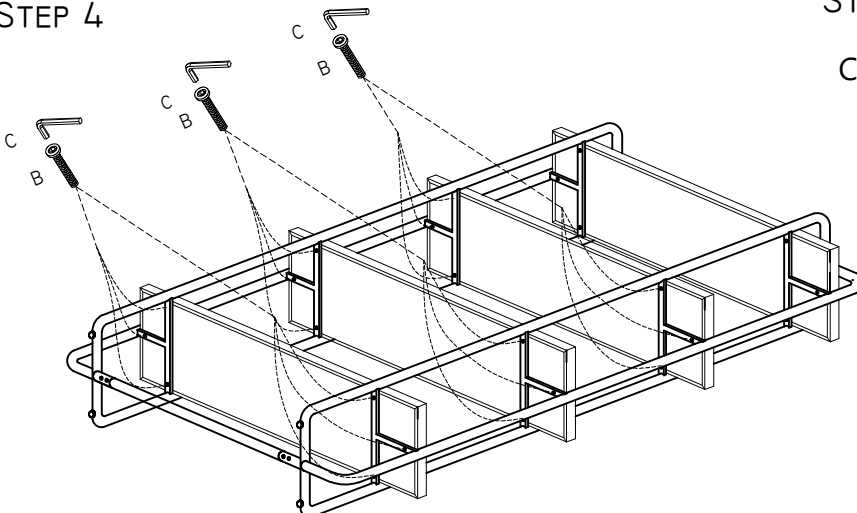


ITEM	PART NAME	QTY
A	BOLT M6x15MM 	4
B	BOLT M6x30MM 	24
C	ALLEN WRENCH 	1

STEP 3



STEP 4



STEP 5

Complete

